

BEZBEDNOŠNA TEHNOLOGIJA
ZA ZAŠTITU ŽIVOTNE SREDINE

SAFETY AND
ENVIRONMENTAL
TECHNOLOGY

E.L.B.
FÜLLSTANDSGERÄTE



01-01-05E
ÜBERFÜLLSICHERUNGEN / OVERFILL CUT-OUT DEVICE • LEAK DETECTOR

**Uronjene Magnetne Sonde
Tip T-203.F
Nerdjajuci celik 1.4571**



**Immersible Magnetic Probes
Type T-203.F
Stainless steel 1.4571**

EG-EC Sertifikat za Ispitivanje tipa TÜV 02 ATEX 1795 X
sa opstim odobrenjem za konstruisanje Z-65.11-404

EC Type-Examination Certificate TÜV 02 ATEX 1795 X
with general approval for construction Z-65.11-404

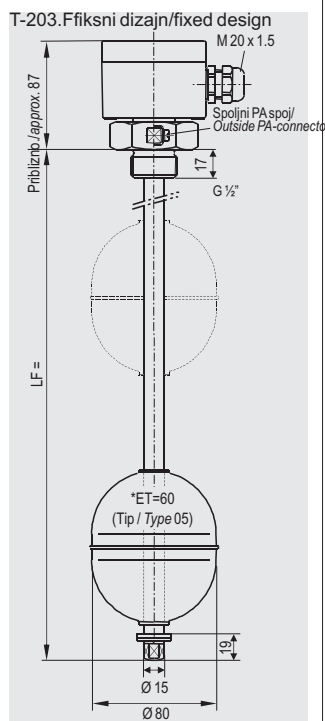
**Tehnicki podaci
Tip T-203.F**

Spoj	Vidite podatke kutije
Sistem zaštite	EN 60529 IP 65 kutija
Tip plovka	Max. 6x tip 05(06)
Dužina cevi	Max. 6000 mm
Operativna temperatura	Max. 135°C
Operativni pritisak	Max. 20 bar
Gustina tecnosti	Tip 05: 0.89 g/cm ³ Tip 06: 0.72 g/cm ³
Broj veza	Max. 6x promenljiva veza Max. 7x NO/5xNC
Struja ukljucivanja	1A, 2A
Kapacitet ukljucivanja	Promenljiva veza: 60 W/VA NO: 100 W/VA NC: 60 W/VA
Minimalni razmak veza	
po broju plovaka	Tip 05: 110mm Tip06: 135mm

**Technical Data
Type T-203.F**

Connector	see box data
System of protect.	EN 60529IP 65 box
Float type	max. 6 x type 05 (06)
Pipe length	max. 6000 mm
Operating temperature	max. 135 °C
Operating pressure	max. 20 bar
Media density	type 05: 0.89 g/cm ³ type 06: 0.72 g/cm ³
Number of contacts	max. 6 x change-over contacts max. 7 x NO / 5 x NC
Switching current	1A, 2A
Switching capacity	change-over contact: 60 W/VA NO: 100 W/VA, NC: 60 W/VA
Minimum contact gap with a number of floats	type 05: 110 mm type 06: 135 mm

**Dimenzioni crtez
Dimensional Drawings**



T-203.F

**Kljuc tipa
Tip T-203.F**

**Type Key
Type T-203.F**

Osnovne oznake (spoj cevi i zavrtnja VA 1.4571, Ø15mm)
Basic designation (pipe and screw union VA 1.4571, Ø 15 mm)

Bezbednosna funkcija/ Safety function
F = deo sistema za zaštitu od prepunjavanja/ Part of a overfill protection system

Navoj / Thread
A 1/2" = G 1/2" za spoljašnju montažu, fiksni / G 1/2" for external assembly, fixed
A 1" = G 1" za spoljašnju montažu / G 1" for external assembly
A 3" = G 3" za spoljašnju montažu / G 3" for external assembly
S = drugi navoj / jezicak na zahtev / other threads / flange on request

Dizajn / Design
bez indikacije / without indication = fiksni / fixed
V = podesivi (pocinje od G 1", samo sa spoljašnjim navojem) / adjustable (starting from G 1", only with external thread)

Dodatne trajne uronjene sonde/
Additional continuous immersible probes
bez indikacija / without indication = nema / none
K = trajne uronjene sonde / continuous immersible probes

Broj plovaka / No. of floats
1x = 1 plovak / 1 float
2x = 2 plovaka itd. / 2 floats etc.

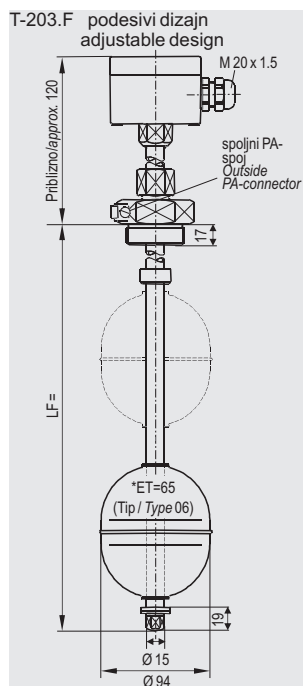
Modeli plovka / Float models
05 = ovalni plovak, nerdjajuci celik 80mm Ø / oval float Stainless steel 80 mm Ø
06 = ovalni plovak, nerdjajuci celik 94mm Ø / oval float Stainless steel 94 mm Ø

Veza / Connection
PO = Kutija od poliestera / Polyester box
AA = Kutija od aluminijuma / Aluminum box

Tip Ex zaštite / Ex protection type
IIC = ATEX II 1 G Eex ia IIC T6
po redu II 1/2 G EEx ia IIC T6. / resp. II 1/2 G EEx ia IIC T6

LF - Dužina u mm / LF length in mm

T203 F IIC



*Merna dubina pri gustini 1
Immersion depth at density 1
Dimenzije u mm / Dimensioning in mm

Uronjene Magnetne Sonde Tip T-204.F i T-204/0.F Nerdjajuci celik 1.4571



Immersible Magnetic Probes Type T-204.F and T-204/0.F Stainless steel 1.4571

EG-EC Sertifikat za Ispitivanje tipa TÜV 02 ATEX 1795 X
sa opstim odobrenjem za konstruisanje Z-65.11-404

EC Type-Examination Certificate TÜV 02 ATEX 1795 X
with general approval for construction Z-65.11-404

Tehnicki podaci Tip T-204.F

Spoj	Vidite podatke kutije
Sistem zastite	EN 60529 IP 65 kutija
Tip plovka	Max. 4x tip 03(04, 09)
Duzina cevi	Max. 6000 mm
Operativna temperatura	Max. 135°C
Operativni pritisak	Max. 20 bar (kugla) Max. 15 bar (cilindar)
Gustina tecnosti	Tip 03: 0.87 g/cm ³ Tip 04: 0.72 g/cm ³ Tip 09: 0.87 g/cm ³
Broj veza	Max. 4x promenljiva veza Max. 6x NO/4xNC
Struja ukljucivanja	1A, 2A
Kapacitet ukljucivanja	Promenljiva veza: 60 W/VA, NO: 100 W/VA, NC: 60 W/VA
Min. razmak veza po br. plovaka	Tip 03: 75mm Tip 04: 85mm, Tip 09: 75mm

Tehnicki podaci Tip T-204/0.F

Sistem zastite	EN 60529 IP 68 kabl
Tip plovka	Max. 4x tip 04
Kab	1000mm PUR plavi
Duzina cevi	Max. 6000 mm
Operativna temperatura	Max. 135°C
Operativni pritisak	Max. 20 bar
Gustina tecnosti	Tip 04: 0.72 g/cm ³
Broj veza	Max. 4x promenljiva veza Max. 6x NO/4xNC
Struja ukljucivanja	1A, 2A
Kapacitet ukljucivanja	Promenljiva veza: 60 W/VA, NO: 100 W/VA, NC: 60 W/VA
Minimalni razmak veza po broju plovaka	85mm

Kljuc tipa Tip T-204.F, T-204/0.F

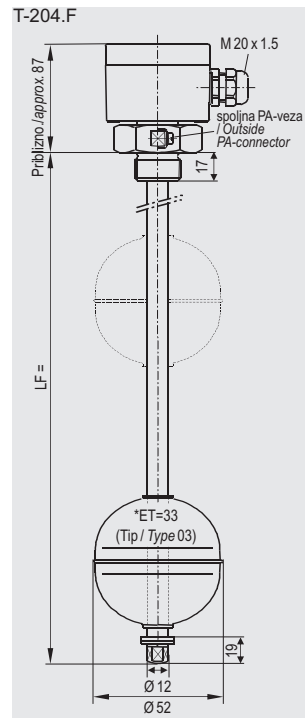
Technical Data Type T-204.F

Connector	see box data
Sys. of protection	EN 60529 IP 65 box
Float type	max. 4 x type 03 (04, 09)
Pipe length	max. 6000 mm
Operating temperature	max. 135 °C
Operating pressure	max. 20 bar (ball) max. 15 bar (cylinder)
Media density	type 03: 0.87 g/cm ³ type 04: 0.72 g/cm ³ type 09: 0.87 g/cm ³
Number of contacts	max. 4 x change-over contacts max. 6 x NO / 4 x NC
Switching current	1A, 2A
Switching change-over contact capacity	60 W/VA NO: 100 W/VA, NC: 60 W/VA
Minimum contact type 03: 75 mm gap with a number of floats	type 04: 85 mm type 09: 75 mm

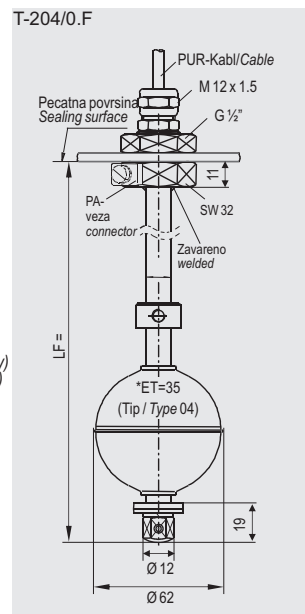
Technical Data Type T-204/0.F

Sys. of protection	EN 60529 IP 68 cable
Float type	max. 4 x type 04
Cable	1000 mm PUR blue
Pipe length	max. 6000 mm
Operating temperature	max. 135 °C
Operating pressure	max. 20 bar
Media density	type 04: 0.72 g/cm ³
Number of contacts	max. 4 x change-over contacts max. 6 x NO / 4 x NC
Switching current	1A, 2A
Switching change-over contact capacity	60 W/VA NO: 100 W/VA, NC: 60 W/VA
Minimum contact gap with a number of floats	85 mm

Dimenzioni crtez Dimensional Drawings



T-204.F



T-204/0.F

*Merna dubina pri gustini 1
Immersion depth at density 1
Dimenzije u mm / Dimensioning in mm

Osnovne oznake (spoj cevi i zavrtnja VA 1.4571, Ø12mm) /
Basic designation, (pipe and screw union VA 1.4571, Ø 12 mm)
T204: Kutija / box
T204/0: nepovezan kraj kabla / unconnected cable end

Bezbednosna funkcija / Safety function

F = deo sistema za zastitu od prepunjavanja / Part of a overflow protection system

Navoji / Thread

A 1 1/2" = G 1 1/2" for spoljashnju montažu (samo T204) / G 1 1/2" for external assembly (T-204 only)

I 1 1/2" = G 1/2" za unutrašnju montažu (samo T204/0) / G 1/2" for internal assembly (T-204/0 only)

S = drugi navoj/jezicak na zahtev / other threads/flange on request

Dizajn / Design

bez indikacija / without indication = fiksni / fixed

V = podesiv (samo sa spoljashnjim navojem) / adjustable (only with external thread)

Dodatne trajne uronjene sonde /

Additional continuous immersible probes

bez indikacije / without indication = nema / none

K = trajne uronjene sonde / continuous immersible probes

Broj plovaka / No. of floats

1x = 1 plovak / 1 float

2x = 2 plovka itd. / 2 floats etc.

Modeli plovka / Float Models

03 = kugla, nerdjajuci celik 52 mm Ø (samo za T-204) /

ball Stainless steel 52 mm Ø (T-204 only)

04 = kugla, nerdjajuci celik 62 mm Ø / ball Stainless steel 62 mm Ø

09 = cilindar, nerdjajuci celik 44 mm Ø (samo za T-204) /

cylinder Stainless steel 44 mm Ø (T-204 only)

Veza / Connection

PO = Kutija od poliestera (samo za T-204) / Polyester box (T-204 only)

AA = Kutija od aluminijuma (samo za T-204) / Aluminum box (T-204 only)

EX = mm kabl PUR plavi (standard 1000mm), samo za T-204/0)

mm cable PUR blue (standard 1000 mm, T-204/0 only)

Tip Ex zastite / Ex protection type

IIC = ATEX II 1 G EEx ia IIC T6 po redu / resp. II 1/2 G EEx ia IIC T6

LF = Duzina u mm / LF length in mm

□ F □ □ □ □ □ IIC □

E.L.B.
FÜLLSTANDSGERÄTE

KOLTEX D.O.O.
Kralja Milana 21
11000 Beograd

Telefon: + 381 (0)11/3232-687
Fax + 381 (0)11/3343-740
E-Mail: Koltexdoo@ptt.yu
Info: www.elb-bensheim.de