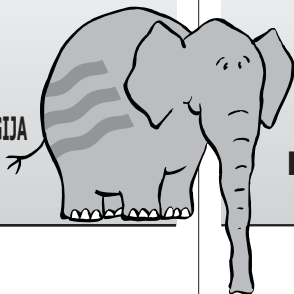


BEZBEDONOSNA TEHNOLOGIJA
ZA ZAŠTITU
ŽIVOTNE SREDINE



SAFETY AND
ENVIRONMENTAL
TECHNOLOGY

E.L.B.
FÜLLSTANDSGERÄTE

05-05-01E

Plastični prekidači nivoa S-40

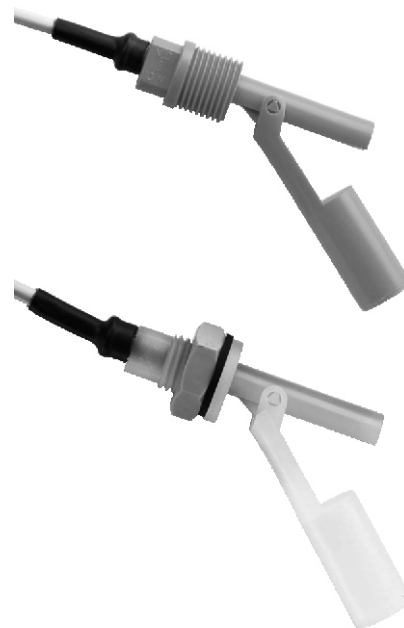
Plastični prekidači nivoa NKP su napravljani radi ekonomične kontrole tečnosti u sudovima. Raznovrsni tipovi industrijske primene mogu se realizovati uz pomoć dve različite plastične verzije, od kojih je svaka sa tri različite vrste ugradnje. Prekidač je izuzetan zbog svog dizajna koji ne zahteva veliko održavanje, zbog malih dimenzija i veza sa jezičkom sa velikim funkcionalnim kapacitetom. Prekidač se ugrađuje sa bočne strane suda. Zglobni plastični plovak sa magnetom pliva vertikalno kroz nivo tečnosti. Magnet upravlja prekidačem sa jezičkom u kapsuli. Funkcija uključivanja/isključivanja (N/O veza / N/C veza) se određuje pozicijom prilikom instalacije. Funkcija uključivanja/isključivanja se menja prostom rotacijom prekidača za 180°.

- *Pritisak: max. 10 bar
- *Temperatura: max. 100 °C
- *Veza: G1/2, 1/2 NPT, M16
- *Materijal: Polipropilen ili PVDF

Plastic Level Switches S-40

The plastic level switch NKP is designed for economical control of liquids in vessels. Many industrial applications can be realized with two different plastic versions each with three different mountings. The switch is remarkable for its maintenance-free design, small dimensions and reed contacts with high switch capacity. The switch is mounted on the side of the vessel. A hinged plastic float with a magnet floats up and down through the liquid level. The encapsulated reed contact is operated by the magnet. The switching function (N/O contact / N/C contact) is determined by the installation position. The switching function is reversed by simply rotating the switch through 180°.

- *Pressure: max. 10 bar
- *Temperature: max. 100 °C
- *Connection: G1/2, 1/2NPT, M16
- *Material: Polypropylene or PVDF



S-40



SCHWIMMSCHALTER • FLOAT SWITCHES

Tehnički podaci

Kućište prekidača	NKP-14...,-24...,-64...: Polipropilen NKP-15...,-25...,-65...: PVDF
Veze	NKP-1...: G 1/2
Plovak	NKP-14...,-24...,-64...: Polipropilen NKP-15...,-25...,-65...: PVDF
Zaptivak	NKP-6401: NBR NKP-6501: FPM alternativa: EPDM
Maksimalna temperatura	NKP-14...,-24...,-64...: 80°C NKP-15...,-25...,-65...: 100°C
Max. pritisak	10 bar
Pozicija pri instalaciji	horizontalna (±30° u odnosu na hor. ravan)
Komponente kontaktata	N/O veza / N/C veza (zavisi od instalacije)
Elektronska veza	Standardni kabl AWG20, dvožilni, PVC, 1m, (PUR-kabl i silikonski kabl na zahtev)
Kapacitet uključivanja	max. 230 VAC/DC max. 40 VA, max. 2 A
Otpor veze	max. 80 mΩ
Minimalni električni napon	400 V DC / 1 s
Srednja gustina	NKP-14...,-24...,-64...: >0,6 kg/dm ³ NKP-15...,-25...,-65...: >0,95 kg/dm ³
Zaštita	IP 68

Ključ tipa

Osnovne oznake	Veza 1/2 = G 1/2"
	Materijal kućišta PP = Polipropilen PVDF = PVDF
	Materijal kabla PVC = Polivinilchlorid SIL = Silikon PUR = Poliuretana
	Dužina kabla u m 01 = 1 m 02 = 2 m itd.
S-40	

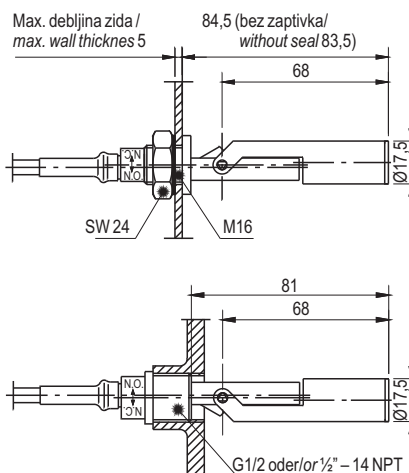
Technical Data

Switch housing	NKP-14...,-24...,-64...: Polypropylene NKP-15...,-25...,-65...: PVDF
Connections	NKP-1...: G 1/2
Float	NKP-14...,-24...,-64...: Polypropylene NKP-15...,-25...,-65...: PVDF
Seal	NKP-6401: NBR NKP-6501: FPM alternative: EPDM
Max. temperature	NKP-14...,-24...,-64...: 80°C NKP-15...,-25...,-65...: 100°C
Max. pressure	10 bar
Installation position	horizontal (±30° from the horizontal plane)
Contact components	N/O contact / N/C contact (depending on the installation)
Electr. connection	standard cable AWG20, 2-core, PVC, 1 m (PUR-cable and silicone cable upon request)
Switch capacity	max. 230 VAC/DC max. 40 VA, max. 2 A
Contact resistance	max. 80 mΩ
Min. electric streng	400 V DC / 1 s
Medium density	NKP-14...,-24...,-64...: >0,6 kg/dm ³ NKP-15...,-25...,-65...: >0,95 kg/dm ³
Protection	IP 68

Type Key

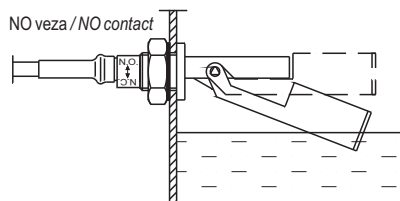
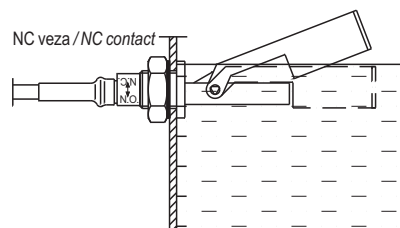
Basic designation	Connection 1/2 = G 1/2"
	Housing material PP = Polypropylene PVDF = PVDF
	Cable material PVC = Polyvinylchloride SIL = Silicone PUR = Polyurethane
	Cable length in m 01 = 1 m 02 = 2 m etc.
S-40	

Dimenzioni crtež / Dimensional Drawing



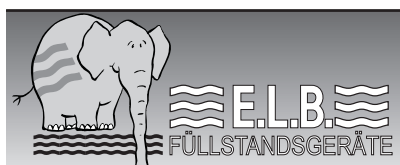
Dimenzije u mm / Dimensioning in mm

Primeri povezivanja / Connection Examples



Podložno promeni bez prethodne najave.

Subject to change without prior notice, errors excepted.



KOLTEx D.O.O.
KRALJA MILANA 21
11000 BEOGRAD

Telefon: +381 (0)11/3232-687
Fax: +381 (0)11/3334-740
E-Mail: elb-koltex@ptt.rs
Info: www.elb-bensheim.de