

BEZBEDNOŠNA TEHNOLOGIJA  
ZA ZAŠTITU ŽIVOTNE SREDINE

SAFETY AND  
ENVIRONMENTAL  
TECHNOLOGY

**E.L.B.**  
FÜLLSTANDSGERÄTE

06-01-01E

## Uronjene Magnetne Sonde Tip T-200 PE, PPH, PVC

## Immersible Magnetic Probes Type T-200 PE, PPH, PVC

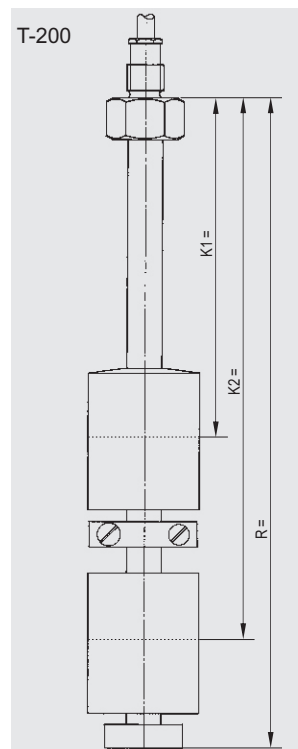
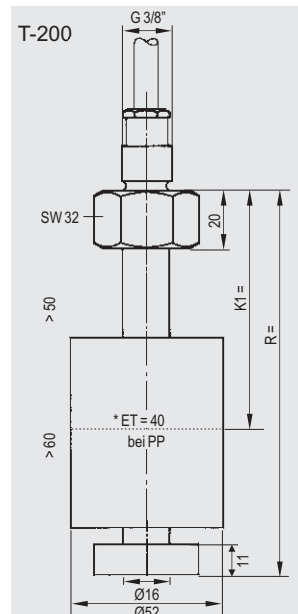
### Tehnicki podaci Tip T-200

Spoj	Vidite podatke kutije
Sistem zastite EN 60529	IP 65 kutija/utikac IP 55 kabl
Tip plovka	Max. 5x tip 10(14)
Kabl	1000mm LiYY 0.5mm <sup>2</sup> ili silikon 0.5mm <sup>2</sup> max. 2 x promenljive veze, 3 x NO/NC
Dužina cevi	Max. 6000 mm Ojacana od 1000mm
Operativna temperatura	PVC: Max. 60°C PE: max. 80°C PP: max. 90°C
Oper. pritisak	Max. 6 bar
Gustina tecnosti	Tip 10: 0.72 g/cm <sup>3</sup> Tip 14: 0.72 g/cm <sup>3</sup>
Broj veza	Max. 5x promenljiva veza Max. 6x NO/ 4x NC
Struja ukljucenja	1A, 2A
Kapacitet ukljucivanja	Promenljiva veza: 60 W/VA NO: 100 W/VA NC: 60 W/VA
Minimalni razmak veza po broju plovaka	Tip 10: 95mm Tip 14: 95mm

### Technical Data Type T-200

Connector	see box data
System of protection	IP 65 box / plug EN 60529 IP 55 cable
Float type	max. 5x type 10 (14)
Cable	1000 mm LiYY 0,5 mm <sup>2</sup> or Silicone 0,5 mm <sup>2</sup> max. 2 x change-over contacts, 3 x NO/NC
Pipe length	max. 6000 mm reinforced from 1000 mm
Operating temperature	PVC: max. 60 °C PE: max. 80 °C PP: max. 90 °C
Operating pressure	max. 6 bar
Media density	type 10: 0.72 g/cm <sup>3</sup> type 14: 0.72 g/cm <sup>3</sup>
Number of contacts	max. 5 x change-over contacts max. 6 x NO / 4x NC
Switching current	1A, 2A
Switching capacity	change-over contact: 60 W/VA NO: 100 W/VA NC: 60 W/VA
Minimum contact gap with a number of floats	type 10: 95 mm type 14: 95 mm

### Dimensioni crtez Dimensional Drawings



T-200

### Kljuc tipa Tip T-200

### Type Key Type T-200

Osnovne oznake (cevi Ø16mm) / Basic designation (pipe Ø 16 mm)

Materijal spoja cevi i zavrtnja / Material of pipe and screw union  
**PE** = polietilen  
**PP** = polipropilen  
**PV** = polivinilhlorid

Navoj / Thread  
I3/8" = G 3/8" za unutrašnju montažu / G 3/8" for internal assembly  
A2" = G 2" za spoljašnju montažu / G 2" for external assembly  
S = specijalni zahtevi / Special request

Dizajn / Design  
bez indikacija / without indication = fiksirano / fixed  
V = podesiv (samo sa spoljašnjim navojem) / adjustable (only with external thread)

Dodatne trajne uronjene sonde / Additional continuous immersible probes  
bez indikacija / without indication = nema / none  
K = trajne uronjene sonde / continuous immersible probes

Broj plovaka / No. of floats  
1x = 1 plovak / 1 float  
2x = 2 plovka itd. / 2 floats etc.

Modeli plovka / Float models  
10 = cilindricni plovak, PE 52mmØ  
14 = cilindricni plovak, PP 52mmØ

Veza / Connection  
PO = Kutija od poliestera  
AA = Kutija od aluminijuma  
ST = trostruki ili šestostruki adapter  
LY = \_\_\_ mm = kabl LiYY (standardni 1000mm)  
SI = \_\_\_ mm = kabl Silikon (standardni 1000mm)  
GF = prsten matice 2 1/4"

Vidite kljuc tipa u odeljku 06-00-02E  
see type key on folder 06-00-02E



\*Dubina uranjanja pri gustini 1  
Immersion depth at density 1

Dimenzije u mm / Dimensioning in mm

TAUCHSONDEN • IMMERSIBLE PROBES

## Uronjene Magnetne Sonde Serija T-201 Mesing i nerđajuci celik 1.4571

## Immersible Magnetic Probes Type T-201 Brass and Stainless steel 1.4571

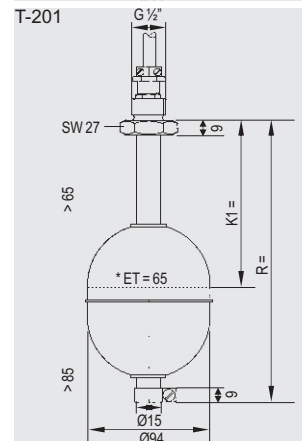
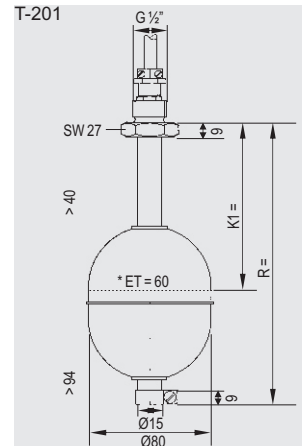
### Tehnicki podaci Tip T-201

Spoj	Vidite podatke kutije
Sistem zastite EN 60529	IP 65 kutija/utikac IP 55 kabl
Tip plovka	Max. 6x tip 05(06)
Kabl	1000mm silikon 0.5mm <sup>2</sup> max. 3 x promenljive veze, 5 x NO/NC
Duzina cevi	Max. 6000 mm
Operativna temperatura	Max. 150°C
Operativni pritisak	Max. 20 bar
Gustina tecnosti	Tip 05: 0.89 g/cm <sup>3</sup> Tip 06: 0.72 g/cm <sup>3</sup>
Broj veza	Max. 6x promenljiva veza Max. 7x NO/5xNC
Struja ukljucivanja	1A, 2A
Kapacitet ukljucivanja	Promenljiva veza: 60 W/VA NO: 100 W/VA NC: 60 W/VA
Minimalni razmak veza po broju plovaka	Tip 05: 110mm Tip 06: 135mm

### Technical Data Type T-201

Connector	see box data
System of protection EN 60529	IP 65 box / plug IP 55 cable
Float type	max. 6 x type 05 (06)
Cable	1000 mm Silicone 0,5 mm <sup>2</sup> max. 3 x change-over contacts, 5 x NO/NC
Pipe length	max. 6000 mm
Operating temperature	max. 150 °C
Operating pressure	max. 20 bar
Media density	type 05: 0.89 g/cm <sup>3</sup> type 06: 0.72 g/cm <sup>3</sup>
Number of contacts	max. 6 x change-over contacts max. 7 x NO / 5 x NC
Switching current	1A, 2A
Switching capacity	change-over contact: 60 W/VA NO: 100 W/VA NC: 60 W/VA
Minimum contact gap with a number of floats	type 05: 110 mm type 06: 135 mm

### Dimenzioni crtez Dimensional Drawings



\*Dubina uranjanja pri gustini 1  
Immersion depth at density 1

Dimenzije u mm / Dimensioning in mm



T-201

### Kljuc tipa Tip T-201

### Type Key Type T-201

Osnovne oznake (cevi Ø15mm) / Basic designation (pipe Ø 15 mm)  
Materijal spoja cevi i zavrtnja / Material of pipe and screw union  
MS = Mesing / Brass  
VA = Nerđajuci celik 1.4571 / Stainless steel 1.4571

Gewinde / Thread  
I 1/2" = G 1/2" za unutrašnju montažu / G 1/2" for internal assembly  
A 1/2" = G 1/2" za spoljašnju montažu / G 1/2" for external assembly

dizajn / Design  
bez indikacije / without indication = fiksni / fixed  
V = podesiv (samo sa spoljašnjim navojem) /  
adjustable (only with external thread)

Dodatne trajne uronjene sonde /  
Additional continuous immersible probes  
bez indikacije / without indication = nema / none  
K = trajne uronjene sonde / continuous immersible probes

Broj plovaka / No. of floats  
1x = 1 plovak / 1 float  
2x = 2 plovka itd. / 2 floats etc.

Modeli plovka / Float models  
05 = ovalni plovak, nerđajuci celik 80mm Ø /  
oval float Stainless steel 80 mm Ø  
06 = ovalni plovak, nerđajuci celik 94mm Ø /  
oval float Stainless steel 94 mm Ø

Veza / Connection  
PO = Kutija od poliestera / Polyester box  
AA = Kutija od aluminijuma / Aluminum box  
ST = trostruki ili šestostruki adapter / Triple- or sixfold adaptor  
SI = \_\_\_mm = kabl Silikon (standardni 1000mm)  
\_\_\_mm = cable Silicone (standard 1000 mm)

Vidite kljuc tipa u odeljku 06-00-02E  
see type key on folder 06-00-02E

T201

Moguće izmene bez prethodne najave.  
Subject to change without prior notice,  
errors excepted.