

**Uronjene Magnetne Sonde
Tip T-201
PTFE**

**Immersible Magnetic Probes
Type T-201
PTFE**

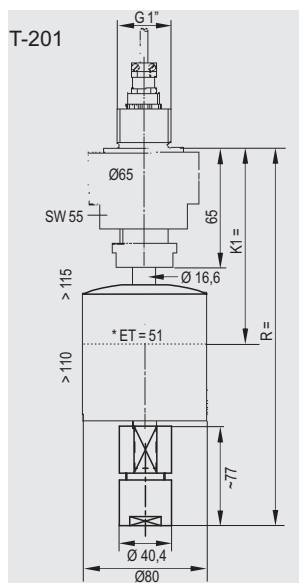
**Tehnicki podaci
Tip T-201**

Spoj	Vidite podatke kutije
Sistem zaštite EN 60529	IP 65 kutija/utikac IP 55 kabl
Tip plovka	Max. 6x tip 16
Kabl	1000mm silikon 0.5mm ² max. 3x promenljive veze, 5 x NO/NC
Dužina cevi	Max. 6000 mm
Operativna temperatura	max. 120°C
Operativni pritisak	Max. 3 bar
Gustina tecnosti	0.79 g/cm ³
Broj veza	Max. 6x promenljiva veza Max. 7x NO/ 5xNC
Struja uključenja	1A, 2A
Kapacitet ukljućivanja	Promenljiva veza: 60 W/VA NO: 100 W/VA NC: 60 W/VA
Minimalni razmak veza po broju plovaka	105mm

**Technical Data
Type T-201**

Connector	see box data
System of protection EN 60529	IP 65 box / plug IP 55 cable
Float type	max. 6 x type 16
Cable	1000 mm Silicone 0,5 mm ² max. 3 x change-over contacts, 5 x NO/NC
Pipe length	max. 6000 mm
Operating temperature	max. 120 °C
Operating pressure	max. 3 bar
Media density	0,79 g/cm ³
Number of contacts	max. 6 x change-over contacts max. 7 x NO/ 5 x NC
Switching current	1A, 2A
Switching capacity	change-over contact: 60 W/VA NO: 100 W/VA NC: 60 W/VA
Minimum contact gap with a number of floats	105 mm

**Dimenzioni crtez
Dimensional Drawings**

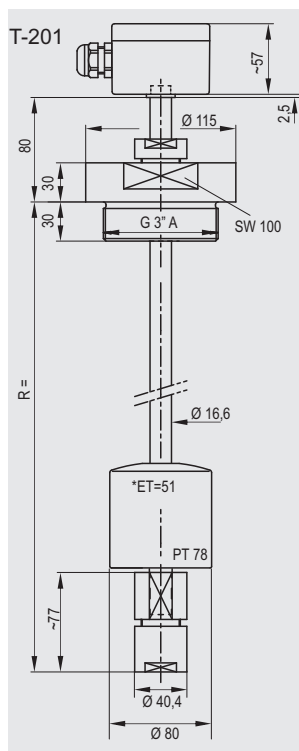


**Kljuc tipa
Tip T-201**

**Type Key
Type T-201**

Osnovne oznake (cev Ø15mm) / Basic designation (pipe Ø 15 mm)
 Materijal spoja cevi i zavrtnja / Material of pipe and screw union
 PT = Nerdjajući celik, cev obložena PTFE / Stainless steel, pipe PTFE-coated
 Navoj / Thread
 I1" = G 1" za unutrašnju montažu / G 1" for internal assembly
 A3" = G 3" za spoljašnju montažu / G 3" for external assembly
 Dizajn / Design
 bez indikacija / without indication = fiksni / fixed
 V = podesiv (samo sa spoljašnjim navojem) /
 adjustable (only with external thread)
 Dodatne trajne uronjene sonde /
 Additional continuous immersible probes
 bez indikacije / without indication = nema / none
 K = trajne uronjene sonde / continuous immersible probes
Broj plovaka / No. of floats
 1x = 1 plovak / 1 float
 2x = 2 plovka itd. / 2 floats etc.
Modeli plovka / Float models
 16 = cilindricni plovak, PTFE 80mmØ / cylinder PTFE 80 mm Ø
Veza / Connection
 PO = Kutija od poliestera / Polyester box
 AA = Kutija od aluminijuma / Aluminum box
 ST = trostruki ili šestostruki adapter / Triple- or sixfold adaptor
 SI = ___ mm = kabl Silikon (standardni 1000mm)
 ___ mm = cable Silicone (standard 1000 mm)

Vidite kljuc tipa u odeljku 06-00-02E
 see type key on folder 06-00-02E



*Dubina uranjanja pri gustini 1
 Immersion depth at density 1
 Dimenzije u mm / Dimensioning in mm

Uronjene Magnetne Sonde Serija T-202 Mesing i nerdjajuci celik 1.4571

Immersible Magnetic Probes Type T-202 Brass and Stainless steel 1.4571

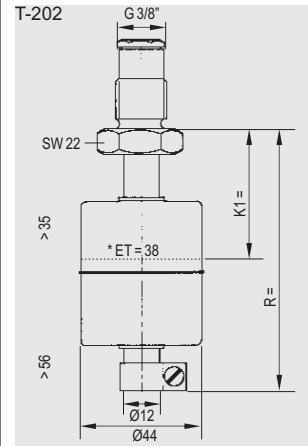
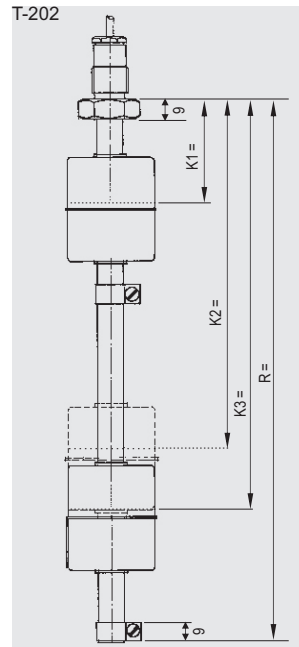
Tehnički podaci Tip T-202

Spoj	Vidite podatke kutije
Sistem zaštite EN 60529	IP 65 kutija/utikac IP 55 kabl
Tip plovka	Max. 5x tip 03(04, 09)
Kabl	1000mm silikon 0.5mm ² max. 2 x promenljive veze, 3 x NO/NC
Dužina cevi	Max. 6000 mm
Operativna temperatura	Max. 150°C
Operativni pritisk	Max. 20 bar (kugla) Max. 15 bar (cilindar)
Gustina tecnosti	Tip 03: 0.87 g/cm ³ Tip 04: 0.72 g/cm ³ Tip 09: 0.87 g/cm ³
Broj veza	Max. 5x promenljiva veza Max. 6x NO/4xNC
Struja uključenja	1A, 2A
Kapacitet uključenja	Promenljiva veza: 60 W/VA NO: 100 W/VA NC: 60 W/VA
Minimalni razmak veza po broju plovaka	Tip 03: 75mm Tip 04: 85mm Tip 09: 75mm

Technical Data Type T-202

Connector	see box data
System of protection EN 60529	IP 65 box / plug IP 55 cable
Float type	max. 5 x type 03 (04, 09)
Cable	1000 mm Silicone 0,5 mm ² max. 2 x change-over contacts, 3 x NO/NC
Pipe length	max. 6000 mm
Operating temperature	max. 150 °C
Operating pressure	max. 20 bar (ball) max. 15 bar (cylinder)
Media density	type 03: 0.87 g/cm ³ type 04: 0.72 g/cm ³ type 09: 0.87 g/cm ³
Number of contacts	max. 5 x change-over contacts max. 6 x NO / 4 x NC
Switching current	1 A, 2 A
Switching capacity	change-over contact: 60 W/VA NO: 100 W/VA NC: 60 W/VA
Minimum contact gap with a number of floats	type 03: 75 mm type 04: 85 mm type 09: 75 mm

Dimenzioni crtez Dimensional Drawings



*Dubina uranjanja pri gustini 1
Immersion depth at density 1

Dimenzije u mm / Dimensioning in mm

Ključ tipa Tip T-202

Type Key Type T-202

Osnovne oznake (cevi Ø12mm) / Basic designation (pipe Ø 12 mm)

Materijal spoja cevi i zavrtnja / Material of pipe and screw union
MS = Mesing / Brass
VA = Nerdjajuci celik 1.4571 / Stainless steel 1.4571

Navoj / Thread

13/8" = G 3/8" za unutrašnju montažu / G 3/8" for internal assembly
A 11/2" = G 1 1/2" za spoljašnju montažu / G 1 1/2" for external assembly
A 2" = G 2" za spoljašnju montažu / G 2" for external assembly

Dizajn / Design

bez indikacije / without indication = fiksni / fixed

V = podesiv (samo sa spoljašnjim navojem) /

adjustable (only with external thread)

Dodatne trajne uronjene sonde /

Additional continuous immersible probes

bez indikacije / without indication = nema / none

K = trajne uronjene sonde / continuous immersible probes

Broj plovaka / No. of floats

1x = 1 plovak / 1 float

2x = 2 plovka itd. / 2 floats etc.

Modeli plovka / Float models

03 = kugla, nerdjajuci celik 52 mm Ø / ball Stainless steel 52 mm Ø

04 = kugla, nerdjajuci celik 62 mm Ø / ball Stainless steel 62 mm Ø

09 = cilindar, nerdjajuci celik 44 mm Ø /
cylinder Stainless steel 44 mm Ø

Veza / Connection

PO = Kutija od poliestera / Polyester box

AA = Kutija od aluminijuma / Aluminum box

ST = trostruki ili šestostruki adapter / Triple- or sixfold adaptor

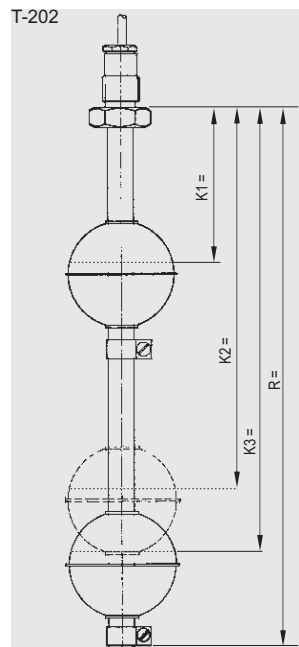
LY = mm = kabl LiYY (standardni 1000mm)

SI = mm = kabl Silikon (standardni 1000mm)

mm cable Silicone (standard 1000 mm)

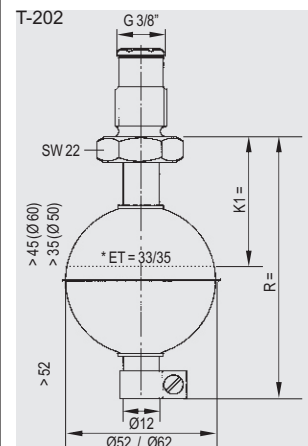
Vidite ključ tipa u odeljku 06-00-02E

see type key on folder 06-00-02E



*Dubina uranjanja pri gustini 1
Immersion depth at density 1

Dimenzije u mm / Dimensioning in mm



Moguće izmene bez prethodne najave.

Subject to change without prior notice,
errors excepted.

