

BEZBEDNOŠNA TEHNOLOGIJA  
ZA ZAŠTITU ŽIVOTNE SREDINE

SAFETY AND  
ENVIRONMENTAL  
TECHNOLOGY

E.L.B.  
FÜLLSTANDSGERÄTE

06-04-01E

## Uronjene Magnetne Sonde Serija T-203 Nerdjajuci celik 1.4571



## Immersible Magnetic Probes Type T-203 Stainless steel 1.4571

EG-EC Sertifikat za Ispitivanje tipa TÜV 02 ATEX 1795 X  
sa opstim odobrenjem za konstrukciju Z-65.11-404

EC Type-Examination Certificate TÜV 02 ATEX 1795 X  
with general approval for construction Z-65.11-404

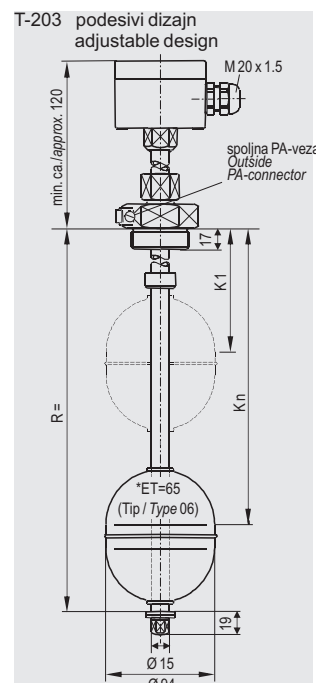
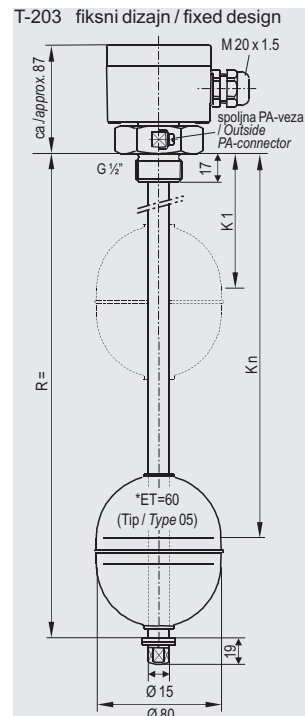
### Tehnicki podaci Tip T-203

|  |  |
|--|--|
| Spoj   | Vidite podatke kutije  |
| Sistem zastite<br>EN 60529                   | IP 65 kutija   |
| Tip plovka                                   | Max. 6x tip 05(06)   |
| Dužina cevi                                  | Max. 6000 mm   |
| Operativna<br>temperatura                    | Max. 135°C   |
| Operativni<br>pritisak                       | Max. 20 bar  |
| Gustina tecnosti                             | Tip 05: 0,89 g/cm <sup>3</sup><br>Tip 06: 0,72 g/cm <sup>3</sup> |
| Broj veza                                    | Max. 6x promenljiva veza<br>Max. 7x NO/5xNC                      |
| Struja ukljucenja                            | 1A, 2A   |
| Kapacitet<br>ukljucivanja                    | Promenljiva veza:<br>60 W/VA<br>NO: 100 W/VA<br>NC: 60 W/VA      |
| Minimalni razmak<br>veza po broju<br>plovaka | Tip 05: 110mm<br>Tip 06: 135mm                                   |

### Technical Data Type T-203

|   |  |
|---|--|
| Connector   | see box data   |
| Sys. of protection                                | EN 60529 IP 65 box   |
| Float type  | max. 6 x type 05 (06)  |
| Pipe length                                       | max. 6000 mm   |
| Operating temperature                             | max. 135 °C  |
| Operating pressure                                | max. 20 bar  |
| Media density                                     | type 05: 0,89 g/cm <sup>3</sup><br>type 06: 0,72 g/cm <sup>3</sup> |
| Number<br>of contacts                             | max. 6 x change-over<br>contacts<br>max. 7 x NO / 5 x NC           |
| Switching current                                 | 1 A, 2 A   |
| Switching<br>capacity                             | change-over contact:<br>60 W/VA<br>NO: 100 W/VA,<br>NC: 60 W/VA    |
| Minimum contact gap<br>with a number<br>of floats | type 05: 110 mm<br>type 06: 135 mm                                 |

### Dimenzioni crtez Dimensional Drawings



### Kljuc tipa Tip T-203

### Type Key Type T-203

Osnovne oznake (spoj cevi i zavrtnja VA 1.4571, Ø15mm) /  
Basic designation (pipe and screw union VA 1.4571, Ø 15 mm)

Navoj / Thread  
A1/2" = G 1/2" za spoljašnju montažu, fiksni / G 1/2" for external assembly, fixed  
A1" = G 1" G 1" za spoljašnju montažu / G 1" for external assembly  
A3" = G 3" G 3" za spoljašnju montažu / G 3" for external assembly  
S = drugi navoj / jezičak na zahtev / other threads/flange on request

Dizajn / Design  
bez indicacije / without indication = fiksni / fixed  
V = verstelbar (ab G 1", nur bei Außengewinde) /  
adjustable (starting from G 1", only with external thread)

Dodatne trajne uronjene sonde /  
Additional continuous immersible probes  
bez indicacije / without indication = nema / none  
K = trajne uronjene sonde / continuous immersible probes

Broj plovaka / No. of floats  
1x = 1 plovak / 1 float  
2x = 2 plovka usw. / 2 floats etc.

Modeli plovka / Float models  
05 = ovalni plovak, nerdjajuci celik 80mmØ /  
oval float Stainless steel 80 mm Ø  
06 = ovalni plovak, nerdjajuci celik 94mmØ /  
oval float Stainless steel 94 mm Ø

Veza / Connection  
PO = Kutija od poliestera / Polyester box  
AA = Kutija od aluminijuma / Aluminum box

Vidite ključ tipa u odeljku 06-03-02E  
see type key on folder 06-03-02E



TAUCHSONDEN • IMMERSIBLE PROBES

# Uronjene Magnetne Sonde Serija T-204 i T-204/0 Nerdjajuci celik 1.4571



# Immersible Magnetic Probes Type T-204 and T-204/0 Stainless steel 1.4571

EG-EC Sertifikat za Ispitivanje tipa TÜV 02 ATEX 1795 X  
sa opstim odobrenjem za konstrukciju Z-65.11-404

EC Type-Examination Certificate TÜV 02 ATEX 1795 X  
with general approval for construction Z-65.11-404

## Tehnicki podaci Tip T-204

|  |  |
|--|--|
| Spoj                                   | Vidite podatke kutije  |
| Sistem zastite                         | IP 65 kutija   |
| EN 60529                               |  |
| Tip plovka                             | Max. 4x tip 03 (04, 09)  |
| Dužina cevi                            | Max. 6000 mm   |
| Operativna temp.                       | Max. 135°C   |
| Operativni pritisak                    | Max. 20 bar (kugla)<br>Max. 15 bar (cilindar)  |
| Gustina tecnosti                       | Tip 03: 0,87 g/cm <sup>3</sup><br>Tip 04: 0,72 g/cm <sup>3</sup><br>Tip 09: 0,87 g/cm <sup>3</sup> |
| Broj veza                              | Max. 4x promenljiva veza<br>Max. 6x NO/4xNC  |
| Struja ukljucenja                      | 1A, 2A   |
| Kapacitet ukljuèivanja                 | Promenljiva veza:<br>60 W/VA<br>NO: 100 W/VA<br>NC: 60 W/VA  |
| Minimalni razmak veza po broju plovaka | Tip 03: 75mm<br>Tip 04: 85mm<br>Tip 09: 75mm   |

## Technical Data Type T-204

|   |   |
|---|---|
| Connector                                   | see box data  |
| Sys. of protection                          | EN 60529 IP 65 box  |
| Float type                                  | max. 4 x type 03 (04, 09)   |
| Pipe length                                 | max. 6000 mm  |
| Operating temperature                       | max. 135 °C   |
| Operating pressure                          | max. 20 bar (ball)<br>max. 15 bar (cylinder)  |
| Media density                               | type 03: 0,87 g/cm <sup>3</sup><br>type 04: 0,72 g/cm <sup>3</sup><br>type 09: 0,87 g/cm <sup>3</sup> |
| Number of contacts                          | max. 4 x change-over contacts<br>max. 6 x NO / 4 x NC   |
| Switching current                           | 1A, 2A  |
| Switching change-over contact capacity      | 60 W/VA<br>NO: 100 W/VA,<br>NC: 60 W/VA   |
| Minimum contact gap with a number of floats | type 03: 75 mm<br>type 04: 85 mm<br>type 09: 75 mm  |

## Tehnicki podaci Tip T-204/0

|  |   |
|--|---|
| Sistem zastite                         | IP 68 kabl  |
| EN 60529                               |   |
| Tip plovka                             | Max. 4x tip 04  |
| Kabl                                   | 1000mm PUR plavi  |
| Dužina cevi                            | Max. 6000 mm  |
| Operativna temp.                       | Max. 135°C  |
| Operativni pritisak                    | Max. 20 bar   |
| Gustina tecnosti                       | Tip 04: 0,72 g/cm <sup>3</sup>                              |
| Broj veza                              | Max. 4x promenljiva veza<br>Max. 6x NO/4xNC                 |
| Struja ukljucenja                      | 1A, 2A  |
| Kapacitet ukljuèivanja                 | Promenljiva veza:<br>60 W/VA<br>NO: 100 W/VA<br>NC: 60 W/VA |
| Minimalni razmak veza po broju plovaka | 85mm  |

## Technical Data Type T-204/0

|   |   |
|---|---|
| Sys. of protection                          | EN 60529 IP 68 kabl                                   |
| Float type                                  | max. 4 x type 04                                      |
| Cable                                       | 1000 mm PUR blue                                      |
| Pipe length                                 | max. 6000 mm  |
| Operating temperature                       | max. 135 °C   |
| Operating pressure                          | max. 20 bar   |
| Media density                               | type 04: 0,72 g/cm <sup>3</sup>                       |
| Number of contacts                          | max. 4 x change-over contacts<br>max. 6 x NO / 4 x NC |
| Switching current                           | 1A, 2A  |
| Switching change-over contact capacity      | 60 W/VA<br>NO: 100 W/VA,<br>NC: 60 W/VA               |
| Minimum contact gap with a number of floats | 85 mm   |

## Kljuc tipa Tip T-204, T-204/0

## Type Key Type T-204, T-204/0

Osnovne oznake (spoj cevi i zavrtnja VA 1.4571, Ø12mm) /  
Basic designation, (pipe and screw union VA 1.4571, Ø 12 mm)  
T204: dozer / box  
T204/0: nepovezan kraj kabla / unconnected cable end

### Navoj / Thread

A11/2"=G 11/2" za spoljašnju montažu (samo T204) / G1 1/2" for external assembly (T-204 only)  
A2"=G2" G 1/2" za unutrašnju montažu (samo T204/0) / G2" for external assembly (T-204 only)  
I1/2"=G 1/2" drugi navoj/jezicak na zahtev / G 1/2" for internal assembly (T-204/0 only)  
S = drugi navoj/na zahtev / other threads/flange on request

### Dizajn / Design

bez indikacije / without indication = fiksni / fixed  
V = podesiv (samo sa spoljašnjim navojem) / adjustable (only with external thread)

Dodatne trajne uronjene sonde /  
Additional continuous immersible probes  
bez indikacije / without indication = nema / none  
K = trajne uronjene sonde / continuous immersible probes

### Broj plovaka / No. of floats

1x = 1 plovak / 1 float  
2x = 2 plovka itd. / 2 floats etc.

### Modeli plovka / Float Models

03 = kugla, nerdjajuci celik 52 mm Ø (samo T-204) /  
ball Stainless steel 52 mm Ø (T-204 only)  
04 = kugla, nerdjajuci celik 62 mm Ø / ball Stainless steel 62 mm Ø  
09 = cilindar, nerdjajuci celik 44 mm Ø (samo T-204) /  
cylinder Stainless steel 44 mm Ø (T-204 only)

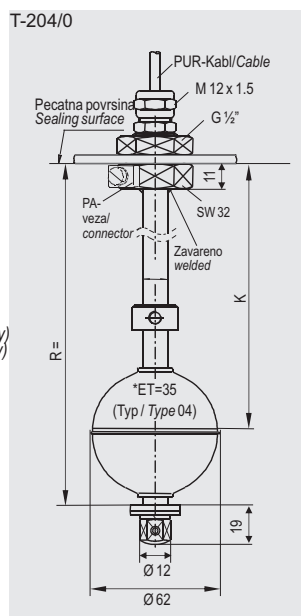
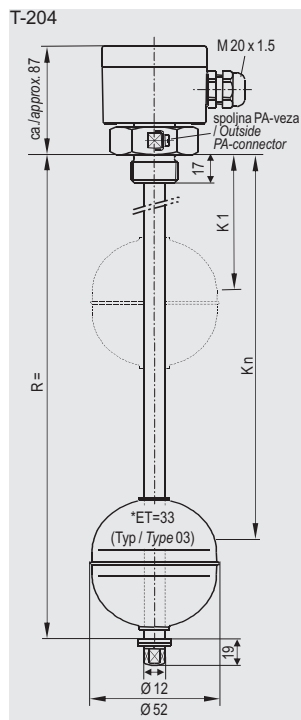
### Veza / Connection

PO = Kutija od poliestera (samo T-204) / Polyester box (T-204 only)  
AA = Kutija od aluminijuma (samo T-204) / Aluminum box (T-204 only)  
EX = \_\_\_ mm kabl PUR plavi (standard 1000mm, samo T-204/0) /  
\_\_\_ mm cable PUR blue (standard 1000 mm, T-204/0 only)

Vidite kljuc tipa u odeljku 06-03-02E  
see type key on folder 06-03-02E



## Dimenzioni crtez Dimensional Drawings



\*Dubine uranjanja pri gustini 1  
Immersion depth at density 1  
Dimenzije u mm / Dimensioning in mm



T-204



T-204/0

Moguce izmene bez prethodne najave.  
Subject to change without prior notice,  
errors excepted.