

BEZBEDNOŠNA TEHNOLOGIJA  
ZA ZAŠTITU ŽIVOTNE SREDINE

SAFETY AND  
ENVIRONMENTAL  
TECHNOLOGY

E.L.B.  
FÜLLSTANDSGERÄTE

06-05-01E

## Uronjene Magnetne Sonde Serija T-205/0 Nerdjajuci celik 1.4571



## Immersible Magnetic Probes Type T-205/0 Stainless steel 1.4571

EG-EC Sertifikat za Ispitivanje tipa TÜV 02 ATEX 1795 X  
sa opstom dozvolom za konstrukciju Z-65.11-404

EC Type-Examination Certificate TÜV 02 ATEX 1795 X  
with general approval for construction Z-65.11-404

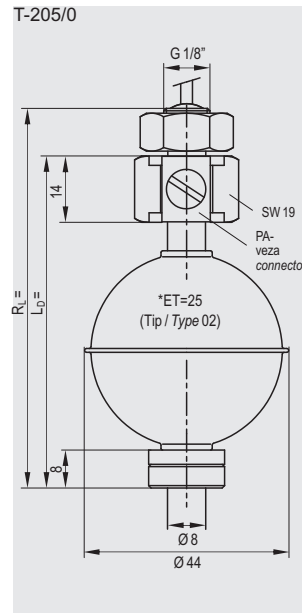
### Tehnicki podaci Tip T-205/0

Sistem zaštite	IP 68 kabl
EN 60529	
Tip plovka	Max. 4x tip 02(08)
Kabl	1000mm PUR plavi
Dužina cevi	Max. 6000 mm
Oper. temp.	Max. 120°C
Operativni pritisak	Max. 15 bar (kugla) Max. 10 bar (cilindar)
Gustina tecnosti	Tip 02: 0.66 g/cm <sup>3</sup> Tip 08: 0.92 g/cm <sup>3</sup>
Broj veza	Max. 2x NO/2xNC
Struja ukljucenja	1A, 2A
Kapacitet ukljucivanja	NO: 100 W/VA NC: 60 W/VA
Minimalni razmak veza po broju plovaka	Tip 02: 80mm Tip 08: 50mm

### Technical Data Type T-205/0

Sys. of protection	EN 60529 IP 68 cable
Floate type	max. 4 x type 02 (08)
Cable	1000 mm PUR blue
Pipe length	max. 6000 mm
Operating temperature	max. 120 °C
Operating pressure	max. 15 bar (ball) max. 10 bar (cylinder)
Media density	type 02: 0.66 g/cm <sup>3</sup> type 08: 0.92 g/cm <sup>3</sup>
Number of contacts	max. 2 x NO / 2 x NC
Switching current	1 A, 2 A
Switching capacity	NO: 100 W/VA NC: 60 W/VA
Minimum contact gap with a number of floats	type 02: 80 mm type 08: 50 mm

### Dimenzioni crtez Dimensional Drawings



\*Dubina uranjanja pri gustini 1  
Immersion depth at density 1  
Dimenzije u mm / Dimensioning in mm

### Kljuc tipa Tip T-205/0

### Type Key Type T-205/0

Osnovne oznake (spoj cevi i zavrtnja VA 1.4571, Ø8mm) /  
Basic designation (pipe and screw union VA 1.4571, Ø 8 mm)

Navoj / Thread  
I 1/8" = G 1/8" za unutrašnju montažu / G 1/8" for internal assembly  
S = drugi navoj / jezicak na zahtev / other threads / flange on request

Dizajn / Design  
bez indicacije / without indication = fiksno / fixed  
V = podesiv (samo sa spoljnjim navojem) /  
adjustable (only with external thread)

Broj plovaka / No. of floats  
1x = 1 plovak / 1 float  
2x = 2 plovka itd. / 2 floats etc.

Modeli plovka / Float Models  
02 = kugla, nerdjajuci celik 44 mm Ø /  
ball Stainless steel 44 mm Ø  
08 = cilindar, nerdjajuci celik 27 mm Ø /  
cylinder Stainless steel 27 mm Ø

Veza / Connection  
EX = \_\_\_ mm kabl PUR plavi (standard 1000mm)  
\_\_\_ mm cable PUR blue (standard 1000 mm)

Vidite kljuc tipa u odeljku 06-03-02E  
see type key on folder 06-03-02E

T205/0 [ ] [ ] [ ] [ ] [ ] IIC [ ] [ ] [ ] [ ]

