

BEZBEDNOŠNA TEHNOLOGIJA  
ZA ZAŠTITU ŽIVOTNE SREDINE

SAFETY AND  
ENVIRONMENTAL  
TECHNOLOGY

**E.L.B.**  
FÜLLSTANDSGERÄTE

11-01-01E

## Instrumenti za merenje nivoa tecnosti / Liquid Level Measuring Instrument Tip TK-300 / Type TK-300 PE, PPH, PVC

### Tehnicki podaci Tip TK-300

Spoj	Vidite podatke kutije
Sistem zastite EN 60529	IP 65 kutija/utikac IP 55 kabl
Tip plovka	10(14)
Kabl	1000mm LiYY 0.5mm <sup>2</sup> ili silikon 0.5mm <sup>2</sup>
Dužina cevi	Max. 6000 mm
Operativna temperatura	PVC: Max. 60 °C PE: max. 80 °C PP: max. 90 °C
Operativni pritisak	Max. 6 bar
Gustina tecnosti	Tip 10: 0.72 g/cm <sup>3</sup> Tip 14: 0.72 g/cm <sup>3</sup>
Rezolucija	10mm, 15mm ili 1%, 2%, 5% u zavisnosti od modela
Dodaci	R/I transdaktor TK-100 Vidite odeljak 14-01-01E

### Technical Data Type TK-300

Connector	see box data
Sys. protection EN 60529	IP 65 box / plug IP 55 cable
Float type	10 (14)
Cable	1000 mm LiYY 0,5 mm <sup>2</sup> or Silicone 0,5 mm <sup>2</sup>
Pipe length	max. 6000 mm
Operating temperature	PV: max. 60 °C PE: max. 80 °C PP: max. 90 °C
Operating pressure	max. 6 bar
Media density	type 10: 0,72 g/cm <sup>3</sup> type 14: 0,72 g/cm <sup>3</sup>
Resolution	10 mm, 15 mm or 1 %, 2 %, 5 % dep. on model
Accessories	R/I Transducer TK-100 see folder 14-01-01-E

### Kljuc tipa Tip TK-300

### Type Key Type TK-300

Osnovne oznake (cev Ø 16 mm) / Basic designation (pipe Ø 16 mm)

Materijal spoja cevi i zavrtnja / Material of pipe and screw union  
PE = polietilen / Polyethylene  
PP = polipropilen / Polypropylene  
PV = polivinilhlrid / Polyvinylchloride

Navoj / Thread  
1 3/8" = G 3/8" za unutrancnu montažu / G 3/8" for internal assembly  
A 2" = G 2" za spoljajnu montažu / G 2" for external assembly  
S = Specijalni zahtevi / Special request

Dizajn / Design  
bez indikacija / without indication = fiksni / fixed  
V = podesiv (samo sa spoljajnim navojem)  
adjustable (only with external thread)

Modeli plovka / Float models

10=cilindar, PE 52mmØ  
14=cilindar, PP 52mmØ

Veza / Connection

PO=Kutija od poliestera

AA=Kutija od aluminijuma

ST= trostruki adapter

LY= \_\_\_ mm = klab LiYY (standardni 1000mm)

SI= \_\_\_ mm = kabl Silikon (standardni 1000mm)

GF= prsten matice 2 3/4"

Dužina cevi u mm / Pipe length in mm

R= \_\_\_ mm

Rezolucija / Resolution

10=10mm

15=15mm

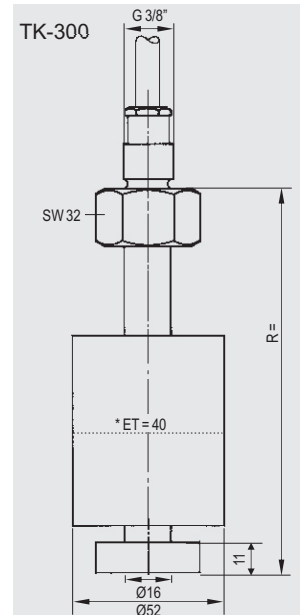
1%=1% (izlaz 4...20 mA postavljen u kutiji spoja od poliestera ili aluminijuma)

2%=2% (izlaz 4...20 mA postavljen u kutiji spoja od poliestera ili aluminijuma)

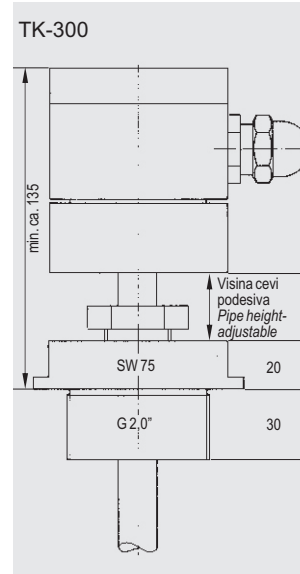
5%=5% (izlaz 4...20 mA postavljen u kutiji spoja od poliestera ili aluminijuma)

TK300

### Dimenzioni crtez Dimensional Drawings



\*Dubina uranjanja pri gustini 1  
Immersion depth at density 1



Dimenzije u mm / Dimensioning in mm



TK-300



TK-300

KONTINUIERLICHE TAUCHSONDEN • CONTINUOUS IMMERSIBLE PROBES

## Instrumenti za merenje nivoa tecnosti Serija TK-301 Mesing i nerdjajuci celik 1.4571

## Liquid Level Measuring Instruments Type TK-301 Brass and Stainless steel 1.4571

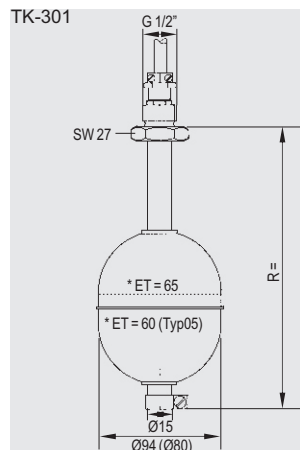
### Tehnicki podaci Tip TK-301

Spoj	Vidite podatke kutije
Sistem zastite EN 60529	IP 65 kutija/utikac IP 55 kabl
Tip plovka	05(06)
Kabl	1000mm silikon 0.5mm2
Duzina cevi	Max. 6000 mm
Operativna temperatura	Max. 130°C
Operativni pritisak	Max. 20 bar
Gustina tecnosti	Tip 05: 0.89 g/cm <sup>3</sup> Tip 06: 0.72 g/cm <sup>3</sup>
Rezolucija	7,5mm, 10mm, 15mm, 20mm ili 1%, 2%, 5% u zavisnosti od modela
Dodaci	R/I transduktor TK- 100 Vidite odeljak 14- 01-01E

### Technical Data Type TK-301

Connector	see box data
Sys. of protec- tion EN 60529	IP 65 box / plug IP 55 cable
Float type	05 (06)
Cable	1000 mm Silicone 0,5 mm <sup>2</sup>
Pipe length	max. 6000 mm
Operating temperature	max. 130 °C
Operating pressure	max. 20 bar
Media density	type 05: 0,89 g/cm <sup>3</sup> type 06: 0,72 g/cm <sup>3</sup>
Resolution	7,5 mm, 10 mm, 15 mm, 20 mm or 1 %, 2 %, 5 % dep. on model
Accessories	R/I Transducer TK-100 see folder 14-01-01-E

### Dimenzioni crtez Dimensional Drawings



\*Dubina uronjavanja pri gustini 1  
Immersion depth at density 1

Dimenzije u mm / Dimensioning in mm



TK-301

### Kljuc tipa Tip TK-301

### Type Key Type TK-301

Osnovne oznake (cevi Ø15mm) / Basic designation (pipe Ø 15 mm)

Materijal spoja cevi i zavrtnja / Material of pipe and screw union

**MS = Mesing**  
**VA = Nerdjajuci celik 1.4571**

Navoj / Thread

I 1/2" = G 1/2" za unutrašnju montažu / G 1/2" for internal assembly

A 1/2" = G 1/2" za spoljašnju montažu / G 1/2" for external assembly

A 3" = G 3" za spoljašnju montažu / G 3" for external assembly

Dizajn / Design

bez indikacije / without indication = fiksni / fixed

V = podesiv (samo sa spoljašnjim navojem)

adjustable (only with external thread)

Modeli plovka / Float models

05 = ovalni plovak, nerdjajuci celik 80mmØ /

oval float Stainless steel 80 mm Ø

06 = ovalni plovak, nerdjajuci celik 94mmØ /

oval float Stainless steel 94 mm Ø

Veza / Connection

PO = Kutija od poliestera / Polyester box

AA = Kutija od aluminijuma / Aluminum box

ST = trostruki ili šestostruki adapter / triple adaptor

SI = \_\_\_ mm = kabl Silikon (standardni 1000mm)

\_\_\_ mm cable Silicone (standard 1000 mm)

Duzina cevi umm / Pipe length in mm

R = \_\_\_ mm

Rezolucija / Resolution

7,5 = 7,5 mm

10 = 10 mm

15 = 15 mm

20 = 20 mm

1% = 1% (izlaz 4...20 mA postavljen u kutiji spoja od poliestera

ili aluminijuma)

(outlet 4...20 mA set in PO or AA box)

2% = 2% (izlaz 4...20 mA postavljen u kutiji spoja od poliestera

ili aluminijuma)

(outlet 4...20 mA set in PO or AA box)

5% = 5% (izlaz 4...20 mA postavljen u kutiji spoja od poliestera

ili aluminijuma)

(outlet 4...20 mA set in PO or AA box)

TK301



TK-301

Moguće izmene bez prethodne najave.

Subject to change without prior notice,  
errors excepted.