

BEZBEDNOŠNA TEHNOLOGIJA  
ZA ZAŠTITU ŽIVOTNE SREDINE

SAFETY AND  
ENVIRONMENTAL  
TECHNOLOGY

  
FÜLLSTANDSGERÄTE

11-03-02E

## Instrumenti za merenje nivoa tečnosti

Bivša Kategorija oblasti 1 (Bivša Zona 0)

### Serija TK-30...

EG-EC Sertifikat za Ispitivanje tipa

TÜV 02 ATEX 1795 X



## Liquid Level Measuring Instruments

for Ex Area Category 1 (Ex Zone 0)

### Series TK-30...

EC Type-Examination Certificate

TÜV 02 ATEX 1795 X

## Ključ tipa

## Type Key

### Osnovne oznake (spoj cevi i zavrtnja nerđjajući celik 1.4571)

Precnik cevi sonde

- 3 = cev Ø 15 mm
- 4 = cev Ø 12 mm
- 7/0 = cev Ø 15 mm (zaobilaznica)
- 9/0 = cev Ø 18 mm

Navoji cilindricni (na zahtev konicni)

- A1/2" = G 1/2" za spoljašnju montažu
- A1" = G 1" za spoljašnju montažu
- A1 1/4" = G 1 1/4" za spoljašnju montažu
- A1 1/2" = G 1 1/2" za spoljašnju montažu
- A2" = G 2" za spoljašnju montažu
- A3" = G 3" za spoljašnju montažu
- S = Specijalni zahtevi

Modeli plovka

- 03 = kugla, nerđjajući celik 52 mm Ø
- 04 = kugla, nerđjajući celik 62 mm Ø
- 05 = ovalni plovak, nerđjajući celik 80 mm Ø
- 06 = ovalni plovak, nerđjajući celik 94 mm Ø
- 07 = kugla, nerđjajući celik 105 mm Ø
- 09 = cilindar, nerđjajući celik 44 mm Ø

Veza

- PO = Kutija od poliestera
- AA = Kutija od aluminijuma
- EX = \_\_\_ mm kabl PUR plavi (standardno 1000 mm)

Dužina cevi u mm

R = mm

Rezolucija

- 1 = 7,5 mm
- 2 = 10 mm
- 3 = 15 mm
- 4 = 20 mm

Ex-tip zaštite

- IIC = ATEX II 1 G EEx ia IIC T6
- po redu II 1/2 G EEx ia IIC T6

TK30           IIC

### Basic indication (pipe and screw union Stainless steel 1.4571) Continuous level sensors

Probe pipe diameter

- 3 = pipe Ø 15 mm
- 4 = pipe Ø 12 mm
- 7/0 = pipe Ø 15 mm (bypass)
- 9/0 = pipe Ø 18 mm

Thread cylindrical (on request conical)

- A1/2" = G 1/2" for external assembly
- A1" = G 1" for external assembly
- A1 1/4" = G 1 1/4" for external assembly
- A1 1/2" = G 1 1/2" for external assembly
- A2" = G 2" for external assembly
- A3" = G 3" for external assembly
- S = Special request (flange)

Float Models

- 03 = ball Stainless steel 52 mm Ø
- 04 = ball Stainless steel 62 mm Ø
- 05 = oval float Stainless steel 80 mm Ø
- 06 = oval float Stainless steel 94 mm Ø
- 07 = ball Stainless steel 105 mm Ø
- 09 = cylinder Stainless steel 44 mm Ø

Connection

- PO = Polyester box
- AA = Aluminium box
- EX = \_\_\_ mm cable PUR blue (standard 1000 mm)

Pipe length in mm

R = mm

Resolution

- 1 = 7,5 mm
- 2 = 10 mm
- 3 = 15 mm
- 4 = 20 mm

Ex protection type

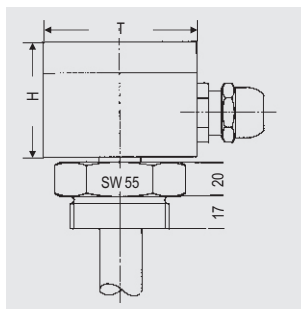
- IIC = ATEX II 1 G EEx ia IIC T6
- resp. II 1/2 G EEx ia IIC T6

TK30           IIC

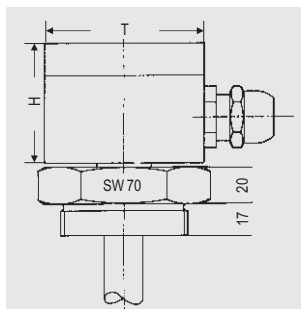
KONTINUIERLICHE TAUCHSONDEN • CONTINUOUS IMMERSIBLE PROBES



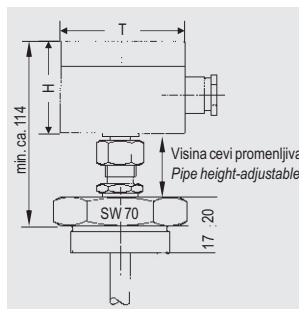
## Fasung veze ugradjen na spoljasnji zid zavrtnja Connection Sockets mounted on external screw union



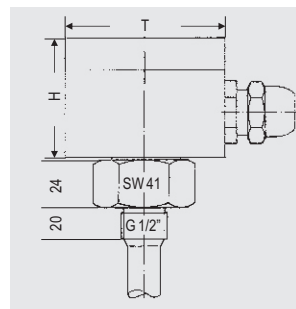
Tip / Type  
RVA-VVA-A1½"-AA(PO) = cev zalemljena  
Pipe welded



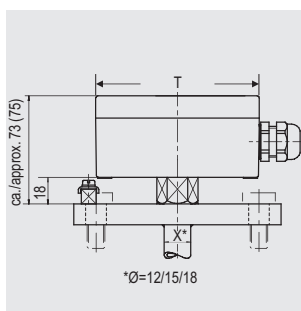
Tip / Type  
RVA-VVA-A2"-AA(PO) = cev zalemljena  
Pipe welded



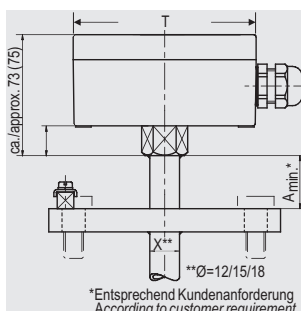
Tip / Type  
RVA-VVA-A2"-AA(PO)-V = osigurana spojem cevi  
Secured with tube union



Tip / Type  
RVA-VVA-A½"-AA(PO) = cev zalemljena  
Pipe welded



Tip / Type  
RVA-FVA-1x-AA(PO) = zavaren deo spoja  
Connecting piece welded



Tip / Type  
RVA-FVA-1x-AA(PO)-H = zavaren deo spoja,  
podignuta kutija spoja  
Connecting piece welded, connector  
box raised

### Legenda / Legend

Dimenzije u mm / Dimensioning in mm

- RVA = cev od nerdjajuceg celika / Stainless steel pipe
- VVA = nerdjajuci celik 1.4571 / Stainless steel union 1.4571
- A ½" = navoje G½" za spoljnu montazu / Thread G½" for external assembly
- A1½" = navoj G1½" za spoljnu montazu / Thread G1½" for external assembly
- A2" = navoj G2" za spoljnu montazu / Thread G2" for external assembly
- AA = Aluminijumska kutija / Aluminum box
- PO = Poliester kutija / Polyester box
- V = promenljivo / Adjustable

### Dodatna oprema / Special equipment

- FVA = jezicak od nerdjajuceg celika 1.4571; DN 50 ... 250 / PN 16 ... 40  
Flange Stainless steel 1.4571; DN 50 ... 250 / PN 16 ... 40
- X = cev-Ø 12 / 15 / 18 mm / Pipe-Ø 12 / 15 / 18 mm
- H = podignuta kutija spojnice / Connector box raised

Dimenzije kutije spojnice u mm/  
Dimensions connector box HxWxD in mm

Broj spojeva / No. of clamps	do / up to 6	do / up to 12	do / up to 18
Aluminijum / Aluminum	55 (57) x 80 x 75	55 x 110 x 75	55 x 160 x 75
Poliester / Polyester			

## Elektricne veze

Fasung spoja/utikac

- 1 = iznad
- 2 = ispod
- 3 = duzina

## Electrical Connections

Connector socket/plug

- 1 = above
- 2 = below
- 3 = length

Moguze izmene bez prethodne najave.  
Subject to change without prior notice,  
errors excepted.