

BEZBEDNOŠNA TEHNOLOGIJA
ZA ZAŠTITU ŽIVOTNE SREDINE

SAFETY AND
ENVIRONMENTAL
TECHNOLOGY

E.L.B.
FÜLLSTANDSGERÄTE

11-04-02E

**Instrumenti za merenje nivoa
tečnosti, Tip TK-307/0
Nerdjajuci celik 1,4571**



**Liquid Level Measuring
Instruments Type TK-307/0
Stainless steel 1.4571**

EG-EC Sertifikat za Ispitivanje tipa TÜV 02 ATEX 1795 X

EC Type-Examination Certificate TÜV 02 ATEX 1795 X

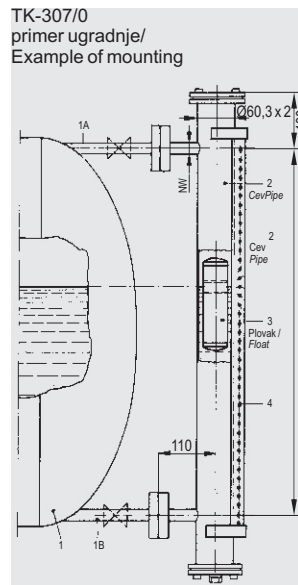
**Tehnicki podaci
Tip TK-307/0**

Spoj	Aluminijumsko kucište V34xŠ64xP58mm
	Poliester-kutija V56xŠ80xP75mm
Kabl	1000mm PUR plavi
Sistem zaštite EN 60529	IP 65 kutija
Materijal cevi	Nerdjajuci celik 1.4571
Materijal dodatka	Nerdjajuci celik 1,4408 pod uglom
Dužina cevi	Max. 6000 mm
Operativna temperatura	Max. 130°C
Rezolucija	7,5mm, 10mm, 15mm, 20mm
Uredjaj	2 spone creva

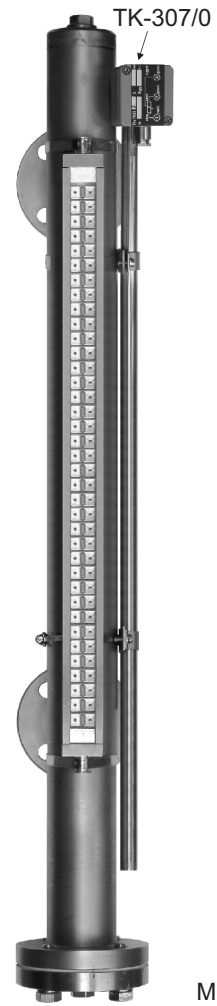
**Technical Data
Type TK-307/0**

Connector	Aluminum box H34 x W64 x D58 mm
	Polyester box H56 x W80 x D75 mm
Cable	1000 mm PUR blue
Sys. of protec- tion EN 60529	IP 65 box
Material pipe	Stainless steel 1.4571
Material angle attachment	Stainless steel 1.4408
Pipe length	max. 6000 mm
Operating temperature	max. 130 °C
Resolution	7,5 mm, 10 mm, 15 mm, 20 mm
Fixture	2 hose clamps

**Dimensioni crtez
Dimensional Drawings**



Indikator zaobilaznja, npr. MKL 3
Bypass indicator, e.g. MKL 3



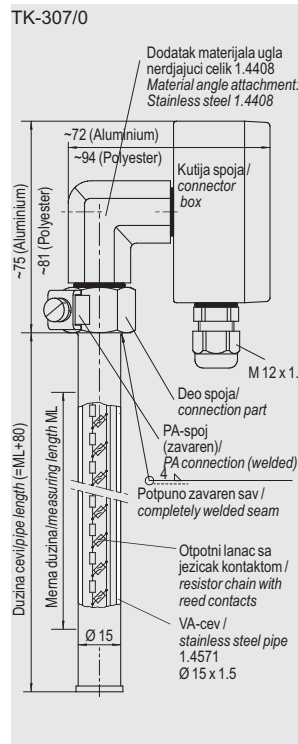
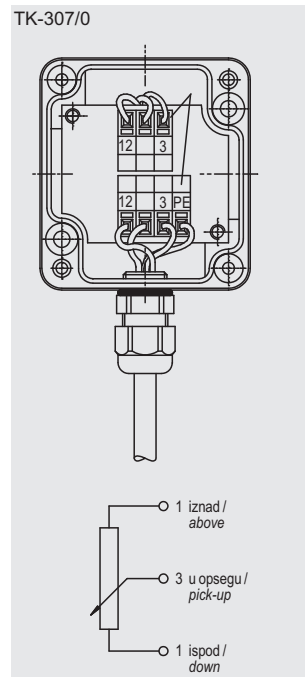
**Kljuc tipa
Tip TK-307/0**

**Type Key
Type TK-307/0**

Osnovne oznake (VA cev Ø15mm) /
Basic designation (pipe VA 1.4571, Ø 15 mm)

- Veza / Connection
bez indikacije = Alu. Kutija / without indication = Aluminum box
- PO = Poliester kutija / Polyester box
- EX = ___mm kabl PUR plavi (standardni 1000mm)
- ___mm cable PUR blue (standard 1000mm)
- Duzina cevi u mm / Pipe length in mm
- R = ___mm
- Rezolucija
- Vidite kljuc tipa u odeljku 11-03-02E

TK307/0 [] [] [] IIC



Dimenzije u mm / Dimensioning in mm

KONTINUIERLICHE TAUCHSONDEN • CONTINUOUS IMMERSIBLE PROBES



MKL

